

Automatic Reciprocator

Work with Electrostatic Powder Coating Gun

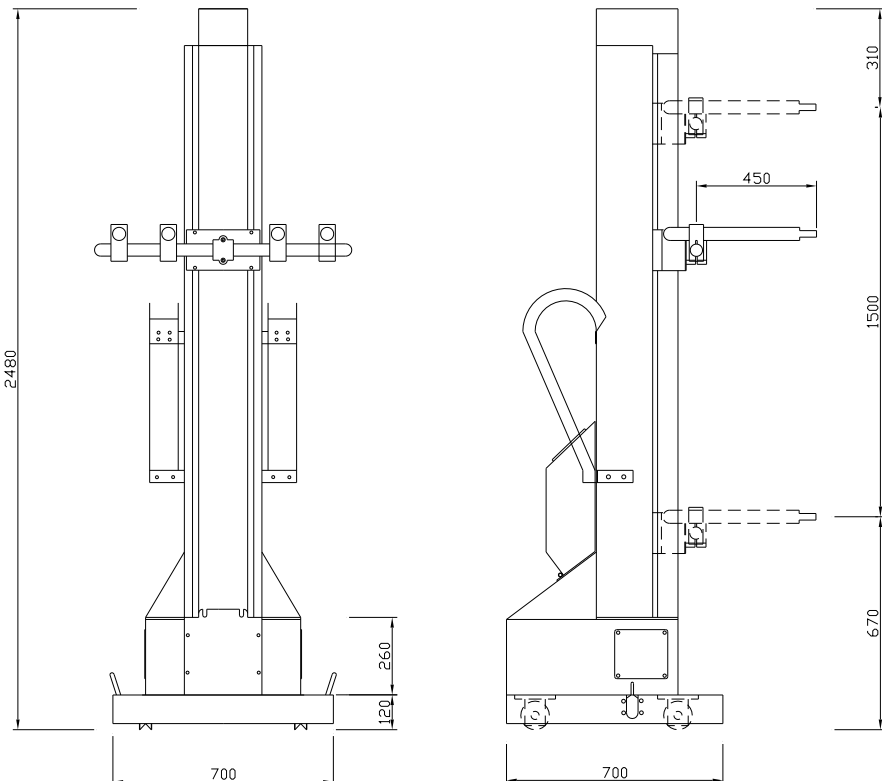
Model: COLO-2000D

Feature

- Japan Mitsubishi Inverter
- Digital intelligent model, 80 storable programs
- Wheel back and forth movements
- Travel: 1.5m (1.8m/2m/2.5m can be ordered)
- Four automatic spray gun rods (qty of the rods can be ordered)
- Colour can be ordered



ACTUAL SIZE



SPECIFICATION

Model: COLO-2000D	
CARRYING LOAD	25KGS
POWER SUPPLY	220V/50-60Hz
SLIDING RANG	1.5M
INPUT POWER	750W
SLIDING SPEED	5-30M/min

Automatic Reciprocator

Work with Electrostatic Powder Coating Gun

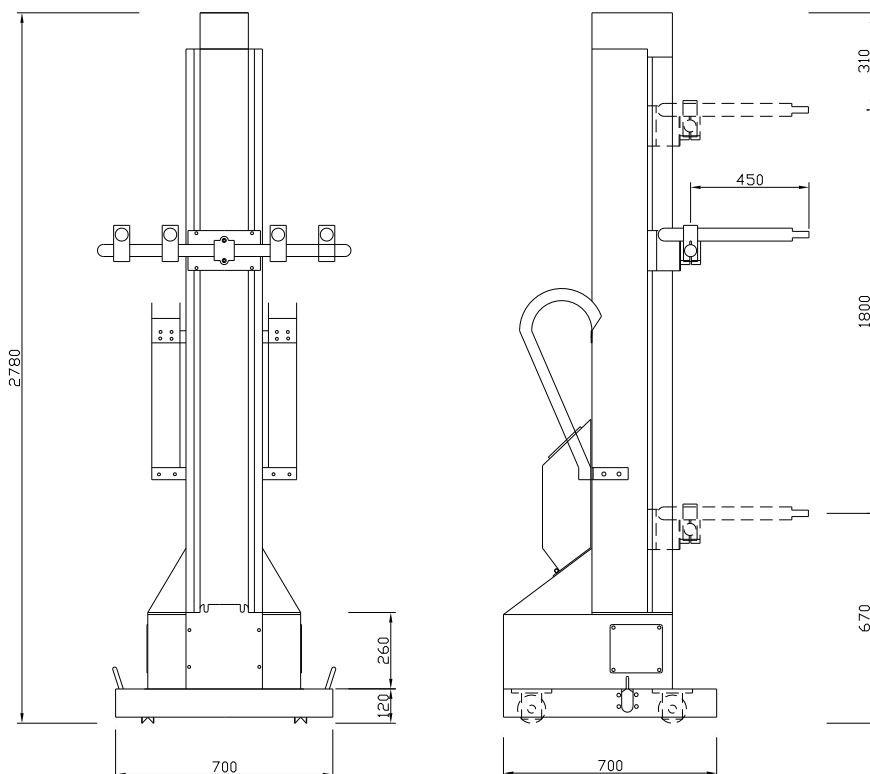
Model: COLO-2000D

Feature

- Japan Mitsubishi Inverter
- Digital intelligent model, 80 storable programs
- Wheel back and forth movements
- Travel: 1.8m (1.5m/2m/2.5m can be ordered)
- Four automatic spray gun rods (qty of the rods can be ordered)
- Colour can be ordered



ACTUAL SIZE



SPECIFICATION

Model: COLO-2000D

CARRYING LOAD	25KGS
POWER SUPPLY	220V/50-60Hz
SLIDING RANG	1.8M
INPUT POWER	750W
SLIDING SPEED	5-30M/min

Automatic Reciprocator



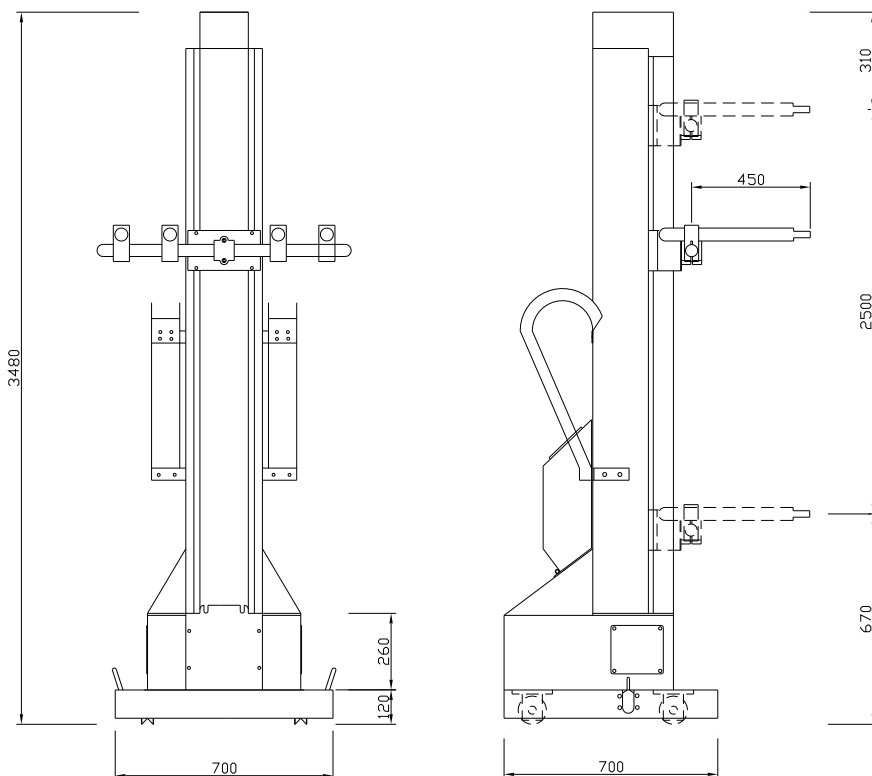
Work with Electrostatic Powder Coating Gun

Model:COLO-2000D

Feature

- Japan Mitsubishi Inverter
- Digital intelligent model,80 storable programs
- Wheel back and forth movements
- Travel:2.5m(1.5m/1.8m/2m can be ordered)
- Four automatic spray gun rods (qty of the rods can be ordered)
- Colour can be ordered

ACTUAL SIZE



SPECIFICATION

Model:COLO-2000D

CARRYING LOAD	25KGS
POWER SUPPLY	220V/50-60Hz
SLIDING RANG	2.5M
INPUT POWER	750W
SLIDING SPEED	5-30M/min

Automatic Reciprocator

Work with Electrostatic Powder Coating Gun

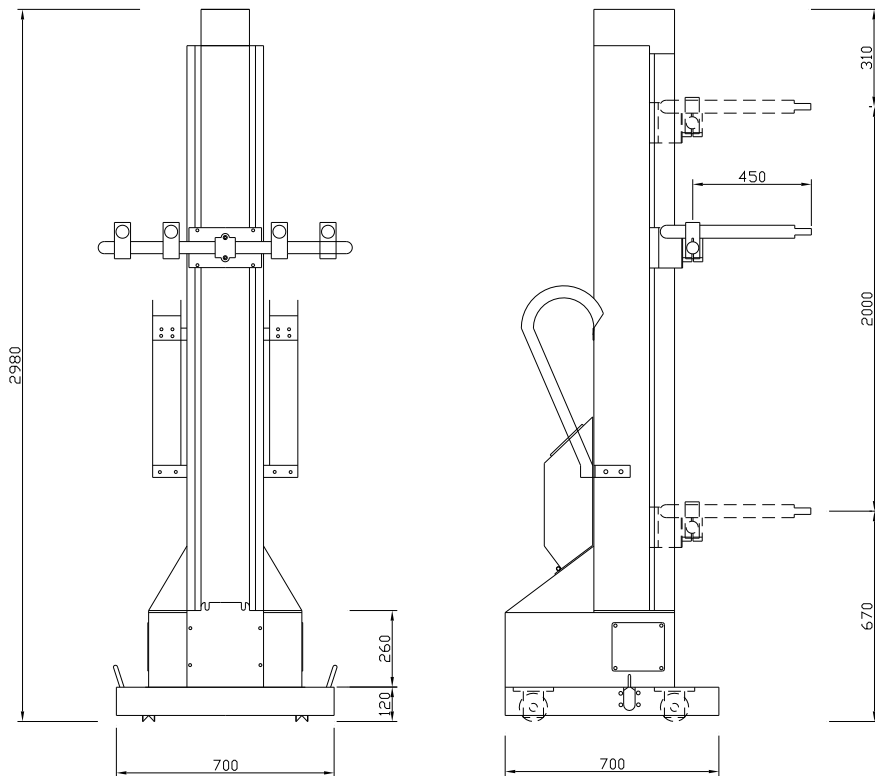
Model: COLO-2000D



Feature

- Japan Mitsubishi Inverter
- Digital intelligent model, 80 storable programs
- Wheel back and forth movements
- Travel: 2m (1.5m/1.8m/2.5m can be ordered)
- Four automatic spray gun rods (qty of the rods can be ordered)
- Colour can be ordered

ACTUAL SIZE



SPECIFICATION

Model: COLO-2000D	
CARRYING LOAD	25KGS
POWER SUPPLY	220V/50-60Hz
SLIDING RANG	2M
INPUT POWER	750W
SLIDING SPEED	5-30M/min

Automatic Reciprocator

Work with Electrostatic Powder Coating Gun

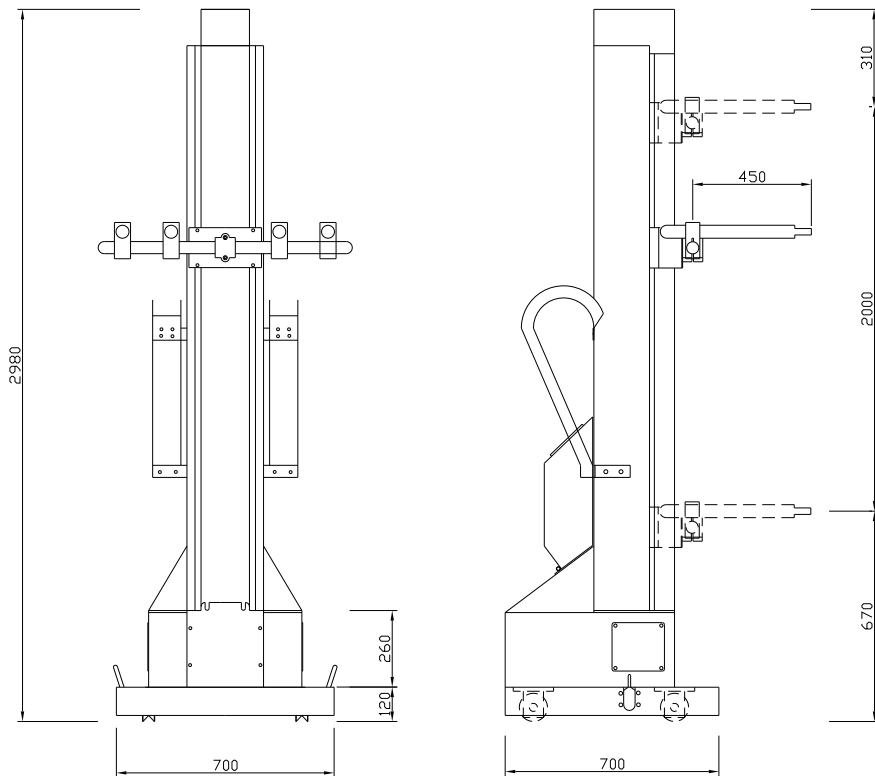
Model:COLO-2100D



Feature

- Hongkong TTK Inverter
- Digital intelligent model,9 pcs storable programs
- Different speed in different stroke to meet complex workpieces coating
- Wheel back and forth movements
- Travel:2m(1.5m/1.8m/2.5m can be ordered)
- Four automatic spray gun rods (qty of the rods can be ordered)
- Colour can be ordered

ACTUAL SIZE



SPECIFICATION

Model:COLO-2100D	
CARRYING LOAD	25KGS
POWER SUPPLY	220V/50-60Hz
SLIDING RANG	2M
INPUT POWER	750W
SLIDING SPEED	5-30M/min

Automatic Reciprocator

Work with Electrostatic Powder Coating Gun

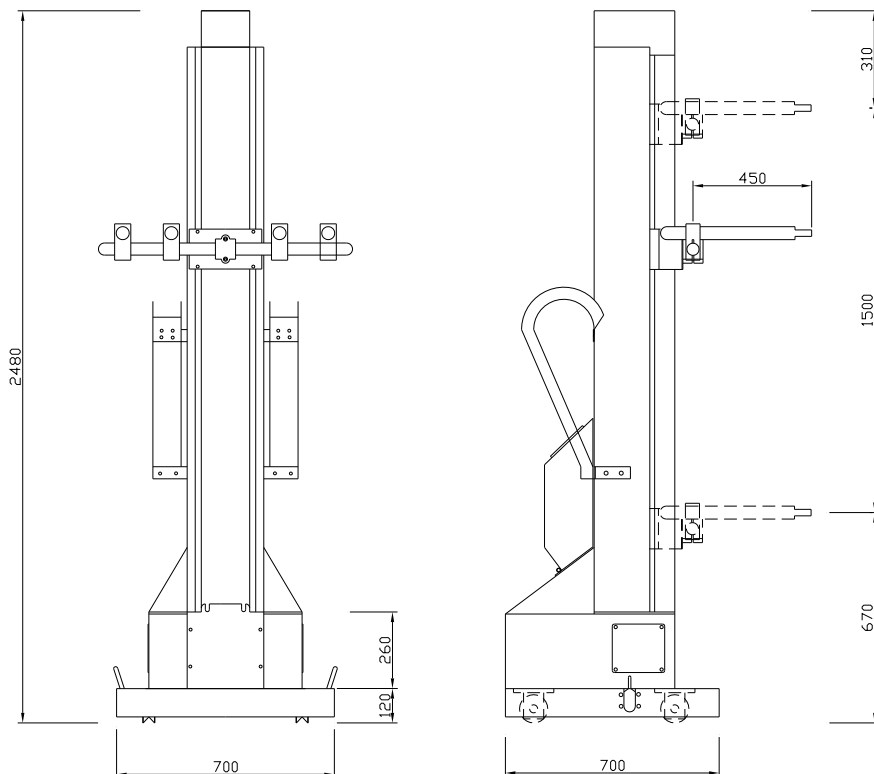
Model: COLO-2100D

Feature

- Hongkong TTK Inverter
- Digital intelligent model, 9 pcs storable programs
- Different speed in different stroke to meet complex workpieces coating
- Wheel back and forth movements
- Travel: 1.5m (1.8m/2m/2.5m can be ordered)
- Four automatic spray gun rods (qty of the rods can be ordered)
- Colour can be ordered



ACTUAL SIZE



SPECIFICATION

Model: COLO-2100D

CARRYING LOAD	25KGS
POWER SUPPLY	220V/50-60Hz
SLIDING RANG	1.5M
INPUT POWER	750W
SLIDING SPEED	5-30M/min

Automatic Reciprocator

Work with Electrostatic Powder Coating Gun

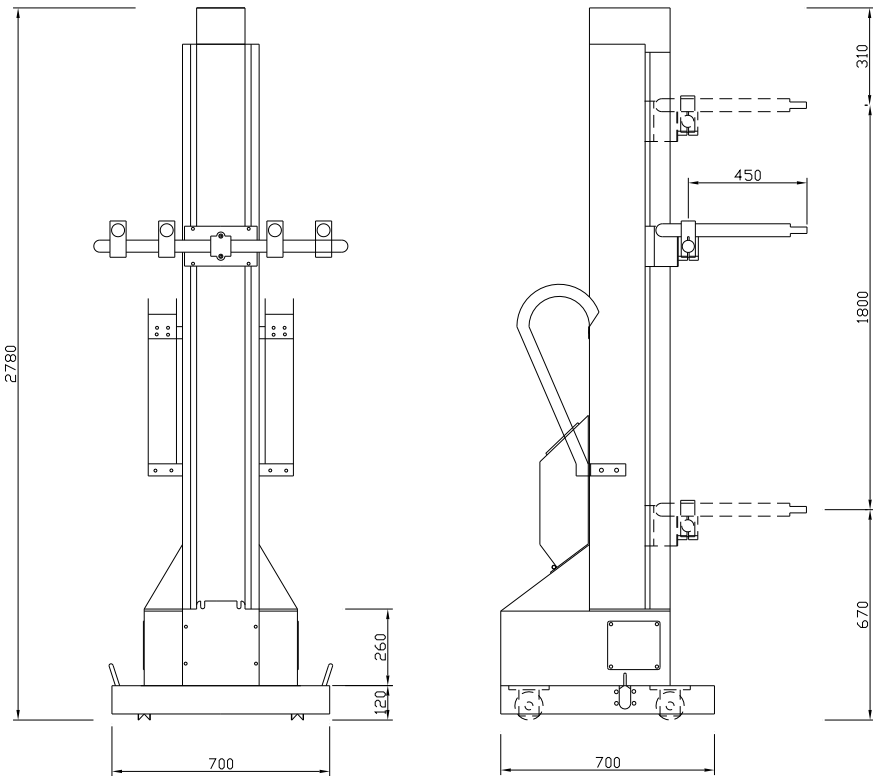
Model: COLO-2100D



Feature

- Hongkong TTK Inverter
- Digital intelligent model, 9 pcs storable programs
- Different speed in different stroke to meet complex workpieces coating
- Wheel back and forth movements
- Travel: 1.8m (1.5m/2m/2.5m can be ordered)
- Four automatic spray gun rods (qty of the rods can be ordered)
- Colour can be ordered

ACTUAL SIZE



SPECIFICATION

Model: COLO-2100D	
CARRYING LOAD	25KGS
POWER SUPPLY	220V/50-60Hz
SLIDING RANG	1.8M
INPUT POWER	750W
SLIDING SPEED	5-30M/min

Automatic Reciprocator

Work with Electrostatic Powder Coating Gun

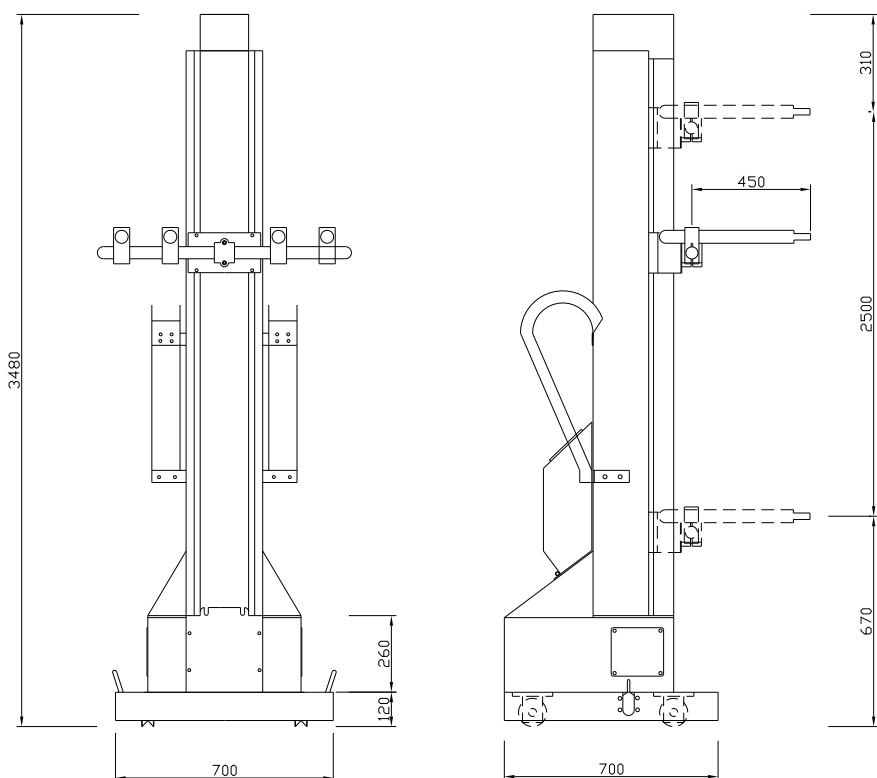
Model: COLO-2100D

Feature

- Hongkong TTK Inverter
- Digital intelligent model, 9 pcs storable programs
- Different speed in different stroke to meet complex workpieces coating
- Wheel back and forth movements
- Travel: 2.5m (1.5m/1.8m/2m can be ordered)
- Four automatic spray gun rods (qty of the rods can be ordered)
- Colour can be ordered



ACTUAL SIZE



SPECIFICATION

Model: COLO-2100D	
CARRYING LOAD	25KGS
POWER SUPPLY	220V/50-60Hz
SLIDING RANG	2.5M
INPUT POWER	750W
SLIDING SPEED	5-30M/min